

# VINYLAST, INC.

## TEST REPORT

**SCOPE OF WORK**

ICC-ES AC273 TESTING ON 36 IN *POST POCKET* BRACKET SYSTEM

**REPORT NUMBER**

P0174.01-119-19 R0

**TEST DATE**

07/21/22

**ISSUE DATE**

01/19/23

**PAGES**

16

**DOCUMENT CONTROL NUMBER**

RT-R-AMER-Test-2794 (04/26/22)

© 2017 INTERTEK



## TEST REPORT FOR VINYLAST, INC.

Report No.: P0174.01-119-19 R0

Date: 01/19/23

### REPORT ISSUED TO

#### VINYLAST, INC.

1830 Swarthmore Avenue  
Lakewood, New Jersey 08701

### SECTION 1

#### SCOPE

Architectural Testing, Inc. (an Intertek company) dba Intertek Building & Construction (B&C) was contracted by Vinylast, Inc. to perform structural performance testing in accordance with ICC-ES™ AC273 on their *Post Pocket* bracket system. Results obtained are tested values and were secured by using the designated test method. Testing was conducted at the Intertek Building & Construction (B&C) test facility in York, Pennsylvania where testing was completed.

Intertek B&C in York, Pennsylvania has demonstrated compliance with ISO/IEC International Standard 17025 and is accredited as a Testing Laboratory (TL-144) by International Accreditation Service, Inc. (IAS). Intertek B&C is accredited to perform all testing reported herein.

Unless differently required, Intertek reports apply the "Simple Acceptance" rule also called "Shared Risk approach," of ILAC-G8:09/2019, Guidelines on Decision Rules and Statements of Conformity.

This report does not constitute certification of this product nor an opinion or endorsement by this laboratory. Intertek B&C will service this report for the entire test record retention period. The test record retention period ends four years after the test date. Test records, such as detailed drawings, datasheets, representative samples of test specimens, or other pertinent project documentation, will be retained for the entire test record retention period.

For INTERTEK B&C:

<b>COMPLETED BY:</b>	Adam J. Schrum	<b>REVIEWED BY:</b>	V. Thomas Mickley, Jr., P.E.
<b>TITLE:</b>	Project Manager	<b>TITLE:</b>	Senior Staff Engineer
<b>SIGNATURE:</b>		<b>SIGNATURE:</b>	
<b>DATE:</b>	01/19/23	<b>DATE:</b>	01/19/23

AJS:vtm/aas

This report is for the exclusive use of Intertek's Client and is provided pursuant to the agreement between Intertek and its Client. Intertek's responsibility and liability are limited to the terms and conditions of the agreement. Intertek assumes no liability to any party, other than to the Client in accordance with the agreement, for any loss, expense or damage occasioned by the use of this report. Only the Client is authorized to permit copying or distribution of this report and then only in its entirety. Any use of the Intertek name or one of its marks for the sale or advertisement of the tested material, product or service must first be approved in writing by Intertek. The observations and test results in this report are relevant only to the sample(s) tested. This report by itself does not imply that the material, product, or service is or has ever been under an Intertek certification program.

## TEST REPORT FOR VINYLAST, INC.

Report No.: P0174.01-119-19 R0

Date: 01/19/23

### SECTION 2

#### TEST METHOD

The specimens were evaluated in accordance with Section 4.3 of the following:

**ICC-ES™ AC273 (Approved June 2017), *Acceptance Criteria for Handrails and Guards***

ICC-ES™ AC273 was developed by the ICC Evaluation Service, Inc. (ICC-ES™) as acceptance criteria to evaluate compliance with the following building codes:

2015 *International Building Code*®, International Code Council

2015 *International Residential Code*®, International Code Council

#### Limitations

All tests performed were to evaluate structural performance of the post mount assembly to carry and transfer imposed loads. The test specimen evaluated included the post mount and supporting wood structure.

Testing is limited to satisfying the IRC - One- and Two-Family Dwellings requirements of ICC-ES™ AC273.

### SECTION 3

#### MATERIAL SOURCE

All materials utilized for testing reported herein were provided to Intertek B&C by Vinylast, Inc. and were not sampled or selected by an independent inspection agency.

Representative samples of the test specimen(s) will be retained by Intertek B&C for a minimum of four years from the test completion date.

### SECTION 4

#### LIST OF OFFICIAL OBSERVERS

NAME	COMPANY
Steve Leary	Vinylast, Inc.
Travis A. Hoover	Intertek B&C

## TEST REPORT FOR VINYLAST, INC.

Report No.: P0174.01-119-19 R0

Date: 01/19/23

### SECTION 5

#### GENERAL DESCRIPTION

The steel post mount brackets are comprised of 0.060 in thick (16 gauge) steel plate bent and welded to accept a 4x4 (nominal) wood post and attach to a wood deck structure. Drawings are included in Section 9 to verify the overall dimensions and other pertinent information of the tested product, its components and any constructed assemblies.

Unless otherwise indicated, all testing reported herein was conducted in a laboratory set to maintain temperature in the range of  $68 \pm 4$  °F and humidity in the range of  $50 \pm 5$  % RH.

### SECTION 6

#### STRUCTURAL PERFORMANCE TESTING OF POST BRACKET SYSTEMS

##### General

Post mounts were mounted on a mock wood deck fabricated by Vinylast, Inc. Reference Component Descriptions and Fastening Schedule below along with Section 10, Installation Instructions for additional information. The specimen was loaded using an electric winch mounted to a rigid steel test frame. High strength steel cables, nylon straps, and load distribution beams were used to impose test loads on the specimen. Applied load was measured using an electronic load cell located in-line with the loading system. Deflections were measured to the nearest 0.01 in using electronic linear displacement transducers.

##### Component Descriptions

<b>Post Bracket</b>	0.060 in thick (16 gauge) steel plate bent and welded to accept a 4x4 wood post
<b>Support Post</b>	Preservative treated Southern Yellow Pine 4x4
<b>Mock Wood Deck</b>	Preservative treated 2x8 joists at 16 in on-center, with 2x8 rim joist and a single 2x8 support block

**TEST REPORT FOR VINYLAST, INC.**

Report No.: P0174.01-119-19 R0

Date: 01/19/23

**Fastening Schedule**

CONNECTION	FASTENER
Rim Joist to Joist	Five #10-10 x 4" (0.126 in minor diameter) flat head, star drive, type 17 point, coated steel screws
Wood Support Blocks to Joist	Four #10-10 x 4" (0.126 in minor diameter) flat head, star drive, type 17 point, coated steel screws
Post Bracket Top Tab to Rim Joist	Two #10-10 x 2-3/4" (0.126 in minor diameter) flat head, star drive, type 17 point, coated steel screws
Post Bracket Top Tab to Support Block	Two #10-10 x 2-3/4" (0.126 in minor diameter) flat head, star drive, type 17 point, coated steel screws
Post Bracket Bottom Tab to Support Block	Two #10-10 x 2-3/4" (0.126 in minor diameter) flat head, star drive, type 17 point, coated steel screws
Rim Joist to Wood Post	Four #10-10 x 4" (0.126 in minor diameter) flat head, star drive, type 17 point, coated steel screws
Support Block to Wood Post	Two #10-10 x 4" (0.126 in minor diameter) flat head, star drive, type 17 point, coated steel screws

**Test Setup**

The post mount assembly was assembled and installed by an Intertek B&C technician by directly securing the mock wood deck to a rigid test frame, which rigidly restrained the wood deck. Transducers mounted to an independent reference frame were located to record movement of the post mount. See photographs in Section 8 for test setups.

**Test Procedure**

Testing and evaluation was performed in accordance with Section 4.3 of ICC-ES™ AC273. The test specimen was inspected prior to testing to verify size and general condition of the materials, assembly, and installation. No potentially compromising defects were observed. One specimen was used for each load test which were performed in the order reported. Each design load test was performed using the following procedure:

1. Zeroed transducers and load cell at zero load;
2. Increased load to specified test load in no less than ten seconds; and
3. Held test load for no less than one minute.

## TEST REPORT FOR VINYLAST, INC.

Report No.: P0174.01-119-19 R0

Date: 01/19/23

### Test Results

Unless otherwise noted, all loads and displacement measurements were normal to the post (horizontal). The test results apply to the post mount, its anchorage to the mock wood deck and the construction of the mock wood deck.

### Key to Test Results Tables:

Load Level: Target test load

Test Load: Actual applied load at the designated load level (target). Where more than one value is reported, the test load was the range (min. - max.) that was held during the time indicated in the test.

Elapsed Time (E.T.): The amount of time into the test with zero established at the beginning of the loading procedure. Where more than one value is reported, the time was the range (start-end) that the designated load level was reached and sustained.

### Test Series No. 1

**Preservative-Treated 4 in by 4 in Post Installed in *Post Pocket* Bracket  
Load Applied Perpendicular to Rim Joist at 36 in from Deck Surface  
IRC - Residential Use Only / ICC-ES™ AC273**

**Test 1 - Test Date: 07/21/22**

**Design Load: 200 lb Concentrated Load on Top of a Single Post**

LOAD LEVEL	TEST LOAD (lb)	E.T. (min:sec)	DISPLACEMENT (in)
200 lb (D.L.)	201	00:56	2.00
600 lb (3.00 x D.L.)	600 - 613	03:39 - 04:53	<b>Result:</b> Withstood load equal to or greater than 600 lb for one full minute without failure

### Deflection Evaluation:

Maximum post deflection at 201 lb on a 36 in high post = 2.00 in

Limits per AC273:

$$\left(\frac{h}{12}\right) = \left(\frac{36}{12}\right) = 3.00" \geq 2.00" \therefore OK$$

## TEST REPORT FOR VINYLAST, INC.

Report No.: P0174.01-119-19 R0

Date: 01/19/23

### Test 2 - Test Date: 07/21/22

#### Design Load: 200 lb Concentrated Load on Top of a Single Post

LOAD LEVEL	TEST LOAD (lb)	E.T. (min:sec)	DISPLACEMENT (in)
200 lb (D.L.)	201	00:43	1.19
600 lb (3.00 x D.L.)	601 - 615	03:48 - 04:52	<b>Result:</b> Withstood load equal to or greater than 600 lb for one full minute without failure

#### Deflection Evaluation:

Maximum post deflection at 201 lb on a 36 in high post = 1.19 in

Limits per AC273:

$$\left(\frac{h}{12}\right) = \left(\frac{36}{12}\right) = 3.00" \geq 1.19" \therefore OK$$

### Test 3 - Test Date: 07/21/22

#### Design Load: 200 lb Concentrated Load on Top of a Single Post

LOAD LEVEL	TEST LOAD (lb)	E.T. (min:sec)	DISPLACEMENT (in)
200 lb (D.L.)	200	00:59	1.32
600 lb (3.00 x D.L.)	600 - 616	06:08 - 07:33	<b>Result:</b> Withstood load equal to or greater than 600 lb for one full minute without failure

#### Deflection Evaluation:

Maximum post deflection at 200 lb on a 36 in high post = 1.32 in

Limits per AC273:

$$\left(\frac{h}{12}\right) = \left(\frac{36}{12}\right) = 3.00" \geq 1.32" \therefore OK$$

## TEST REPORT FOR VINYLAST, INC.

Report No.: P0174.01-119-19 R0

Date: 01/19/23

### Test Series No. 2

**Preservative-Treated 4 in by 4 in Post Installed in *Post Pocket* Bracket  
Load Applied Parallel to Rim Joist at 36 in from Deck Surface  
IRC - Residential Use Only / ICC-ES™ AC273**

#### Test 1 - Test Date: 07/21/22

**Design Load: 200 lb Concentrated Load on Top of a Single Post**

LOAD LEVEL	TEST LOAD (lb)	E.T. (min:sec)	DISPLACEMENT (in)
200 lb (D.L.)	200	01:53	2.17
600 lb (3.00 x D.L.)	602 - 618	04:03 - 05:09	<b>Result:</b> Withstood load equal to or greater than 600 lb for one full minute without failure

#### Deflection Evaluation:

Maximum post deflection at 200 lb on a 36 in high post = 2.17 in

Limits per AC273:

$$\left(\frac{h}{12}\right) = \left(\frac{36}{12}\right) = 3.00" \geq 2.17" \therefore OK$$

#### Test 2 - Test Date: 07/21/22

**Design Load: 200 lb Concentrated Load on Top of a Single Post**

LOAD LEVEL	TEST LOAD (lb)	E.T. (min:sec)	DISPLACEMENT (in)
200 lb (D.L.)	200	00:23	2.69
600 lb (3.00 x D.L.)	600 - 619	02:50 - 03:54	<b>Result:</b> Withstood load equal to or greater than 600 lb for one full minute without failure

#### Deflection Evaluation:

Maximum post deflection at 200 lb on a 36 in high post = 2.69 in

Limits per AC273:

$$\left(\frac{h}{12}\right) = \left(\frac{36}{12}\right) = 3.00" \geq 2.69" \therefore OK$$



## TEST REPORT FOR VINYLAST, INC.

Report No.: P0174.01-119-19 R0

Date: 01/19/23

### Test 3 - Test Date: 07/21/22

#### Design Load: 200 lb Concentrated Load on Top of a Single Post

LOAD LEVEL	TEST LOAD (lb)	E.T. (min:sec)	DISPLACEMENT (in)
200 lb (D.L.)	201	00:41	2.60
600 lb (3.00 x D.L.)	600 - 617	03:00 - 04:06	<b>Result:</b> Withstood load equal to or greater than 600 lb for one full minute without failure

#### Deflection Evaluation:

Maximum post deflection at 201 lb on a 36 in high post = 2.60 in

Limits per AC273:

$$\left(\frac{h}{12}\right) = \left(\frac{36}{12}\right) = 3.00" \geq 2.60" \therefore OK$$

## SECTION 7

### CONCLUSION

When installed in a wood deck with blocking construction details as noted herein, the post mount assemblies reported meet the structural performance requirements of Section 4.3 of ICC-ES™ AC273 for use in One- and Two-Family Dwellings (IRC).

## TEST REPORT FOR VINYLAST, INC.

Report No.: P0174.01-119-19 R0

Date: 01/19/23

### SECTION 8 PHOTOGRAPHS



**Photo No. 1**  
**Load Applied Perpendicular to Rim Joist**



**Photo No. 2**  
**Load Applied Parallel to Rim Joist**



Total Quality. Assured.

130 Derry Court  
York, Pennsylvania 17406

Telephone: 717-764-7700  
Facsimile: 717-764-4129  
[www.intertek.com/building](http://www.intertek.com/building)

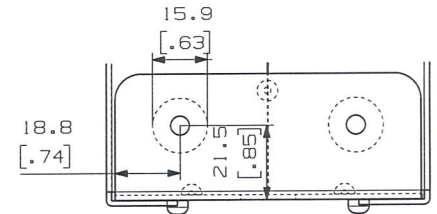
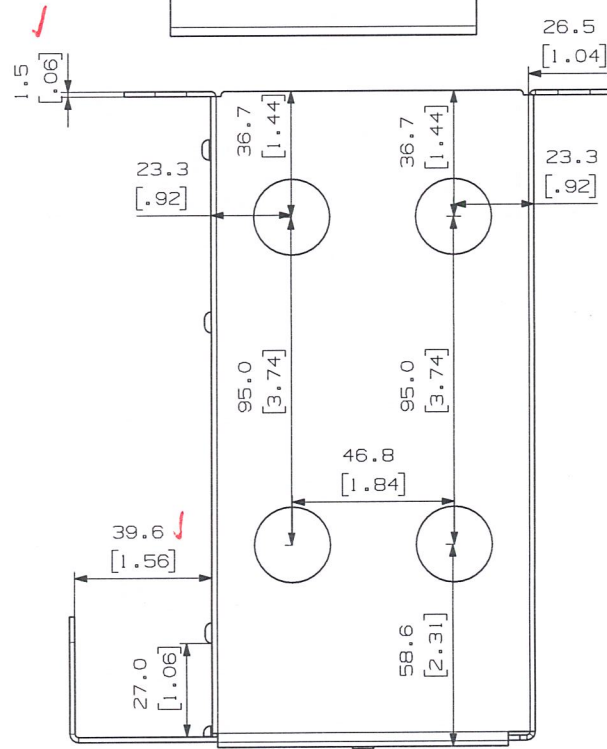
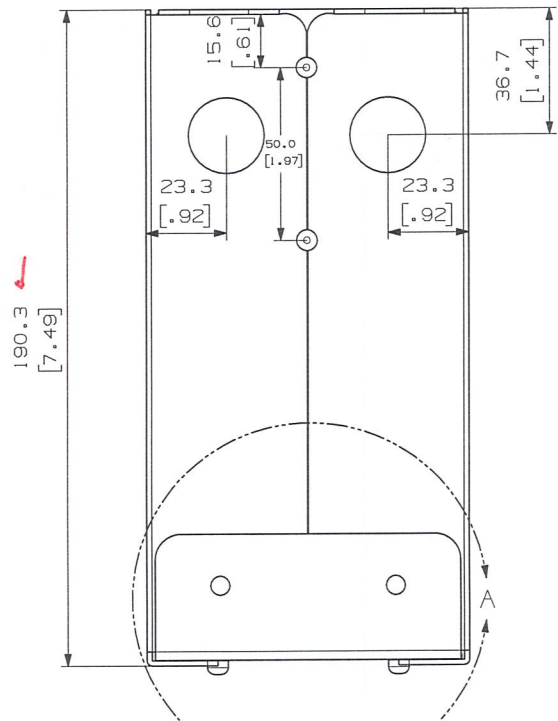
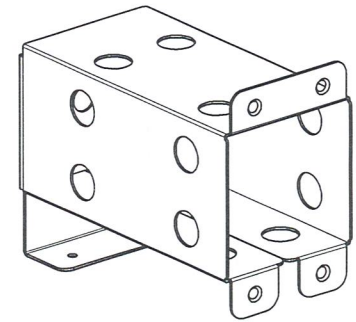
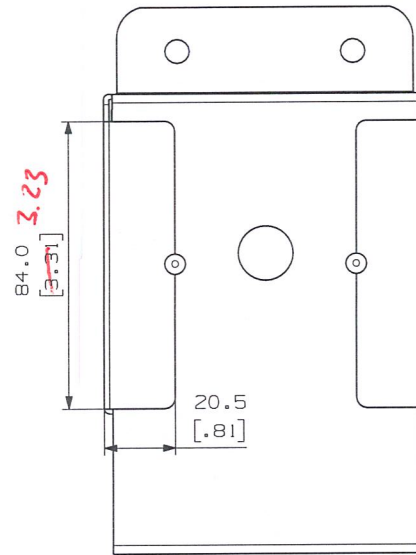
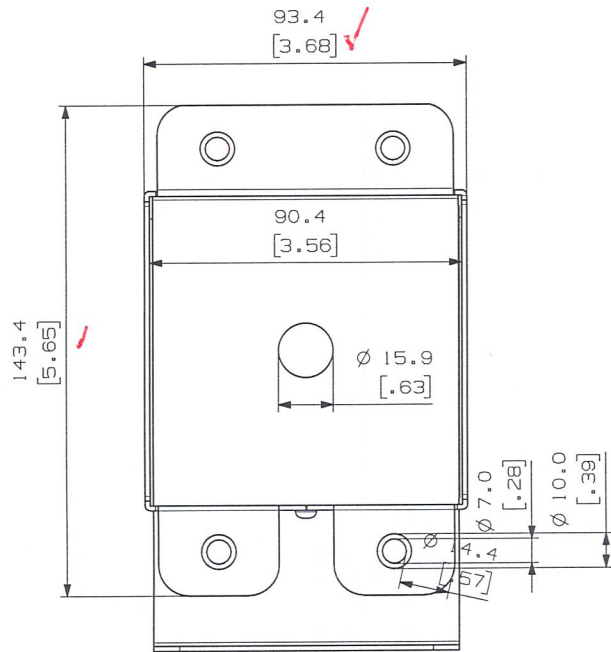
## TEST REPORT FOR VINYLAST, INC.

Report No.: P0174.01-119-19 R0

Date: 01/19/23

### SECTION 9 DRAWINGS

The "As-Built" drawings for the post bracket system which follow have been reviewed by Intertek B&C and are representative of the project reported herein. Project construction was verified by Intertek B&C per the drawings included in this report. Any deviations are documented herein or on the drawings.



DETAIL A  
 SCALE 1:1

NOTE: LIMITED DIMENSION DRAWING.  
 SEE SOLID MODEL FOR PART DETAILS.

**intertek**  
 2023/1/19

Test sample complies with these details.  
 Deviations are noted.

Report # **P0174.01-119-19**

Date **1-19-23** Tech **vtm**



Total Quality. Assured.

**TEST REPORT FOR VINYLAST, INC.**

Report No.: P0174.01-119-19 R0

Date: 01/19/23

**SECTION 10**

**INSTALLATION INSTRUCTIONS**

130 Derry Court  
York, Pennsylvania 17406

Telephone: 717-764-7700

Facsimile: 717-764-4129

[www.intertek.com/building](http://www.intertek.com/building)

# Post Pocket Bracket Installation

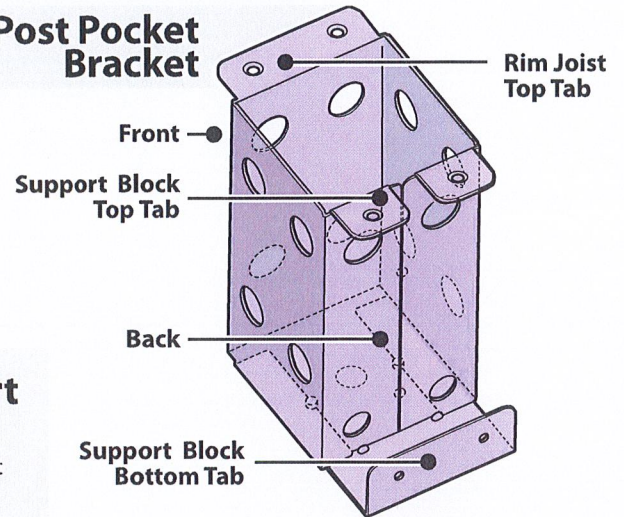
## Hardware List:

- 4 - #10 x 2.75" for (Top Tab Rim Joist)
- 24 - #10 x 4" Screws
  - Support Block (4 each side of support block)
  - Rim Joist Reinforcement
  - Bracket Front & Back

## Required Tools:

- Impact Driver Drill
- Level
- Saw

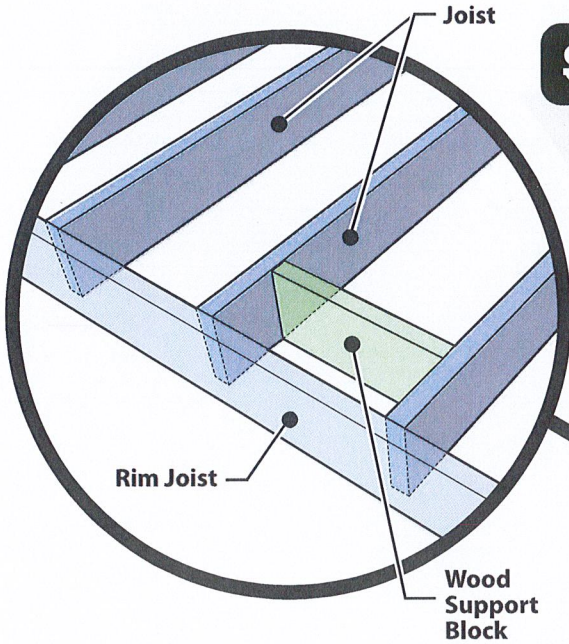
## Post Pocket Bracket



## STEP 1

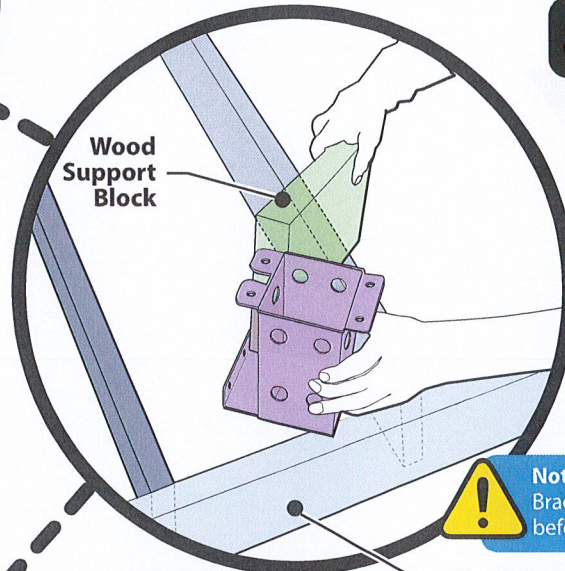
### Wood Support Block

Measure between joist and cut (2" x 8") wood support block to fit



## STEP 2

### Slide Post Pocket Bracket onto Support Block



**Note:** Sliding the Post Pocket Bracket must happen first, before you move to STEP 3.

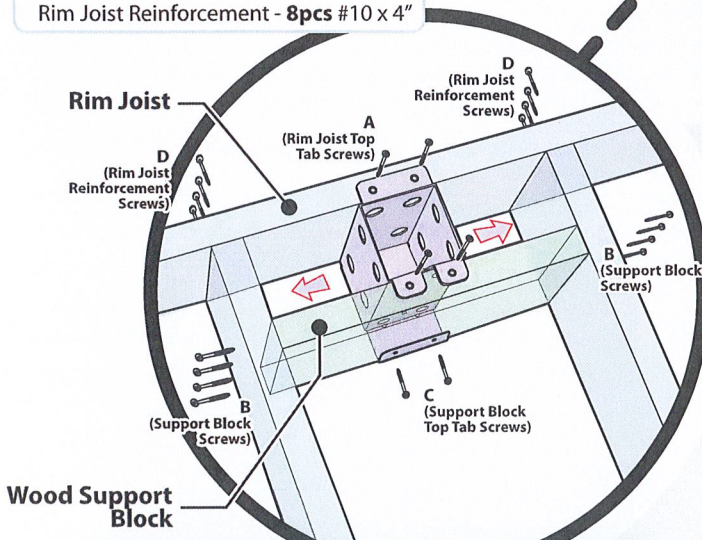
## Step 3 (Included) Screws

- Top Tabs - 4pcs #10 x 2.75"
- Support Block - 8pcs #10 x 4"
- Rim Joist Reinforcement - 8pcs #10 x 4"

## STEP 3

### Locate and Fasten Post Pocket Bracket

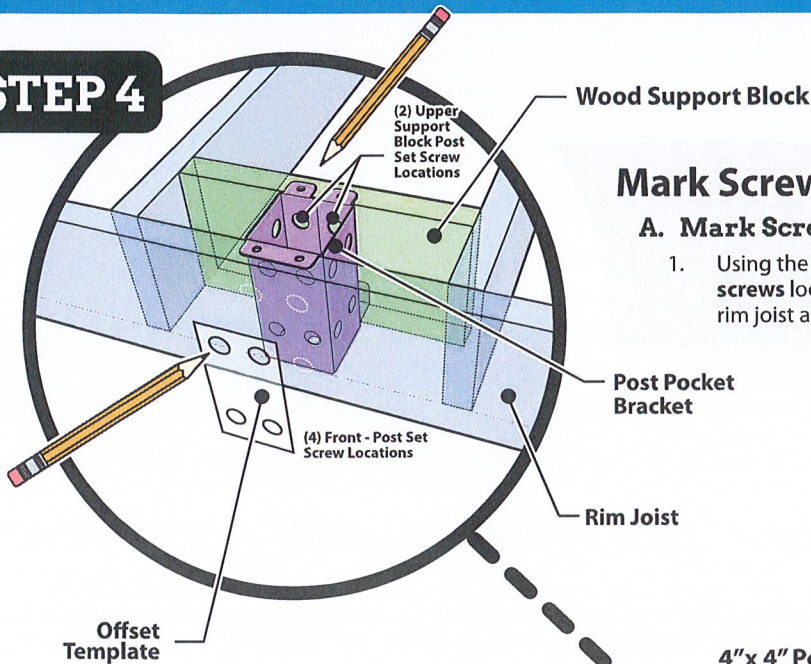
- Install the rim joist top tab screws**  
Place the support block with the bracket between the joists as shown with the top tabs on the rim joist. Install the rim joist top tab screws.
- Mark and install the support block screws**  
Push the support block squarely against the bracket and using the template mark and install on each side (4) 4" screws.
- Install the (2) support block top tab screws**  
Install the screws then use an impact driver to seat all the screws, on the top tabs, flush to the wood. This will allow the decking to be installed over the top of the bracket as needed.
- Install the rim joist reinforcement screws**  
Using the template mark the hole locations and install rim joist reinforcement screws.



**Note:** Use the impact driver to seat all the top tab screws flush to the wood. This will allow the decking to be installed over the top of the bracket as needed.

# Post Pocket Bracket Installation

## STEP 4



## Mark Screw Locations

### A. Mark Screw Locations

1. Using the template **mark the (6) post set screws** locations with (4) on the front of the rim joist and (2) on the upper support block.

## STEP 5

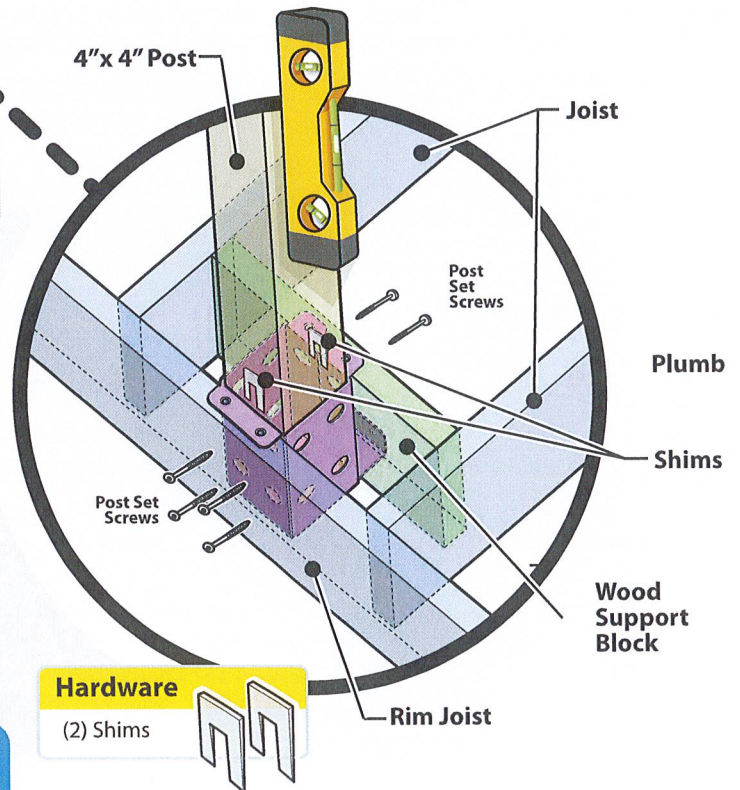
## Post Installation

### A. Put (4x4) Wood Post in Bracket

1. Cut the wood (4"x 4") post to size and place it into the bracket.
2. Plumb the post front to back using the shims to hold the post in place then plumb the post side to side.
3. With the post now in position and plumbed install the (4) post set screws thru the rim joist into the wood post.

### B. Install (4) Post set Screws Through the Support Block

1. Install both the (2) post set screws thru the top of the support block and thru the bottom into the wood post



### Hardware

(2) Shims



**Note:** Wood blocking can be added as needed to ensure that the decking is properly supported around the post and bracket.



Total Quality. Assured.

130 Derry Court  
York, Pennsylvania 17406

Telephone: 717-764-7700  
Facsimile: 717-764-4129  
[www.intertek.com/building](http://www.intertek.com/building)

**TEST REPORT FOR VINYLAST, INC.**

Report No.: P0174.01-119-19 R0

Date: 01/19/23

**SECTION 11**

**REVISION LOG**

REVISION #	DATE	PAGES	REVISION
0	01/19/23	N/A	Original Report Issue