

EZ Post Pocket Bracket™ Installation

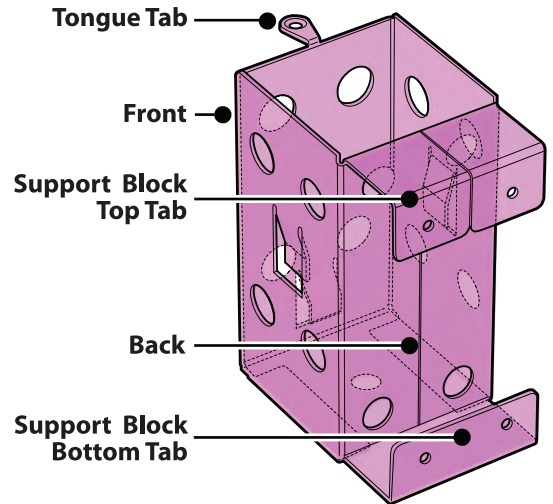
Hardware List:

- 24 - #10 x 4" Screws
- 1 - #10 x 1.75" Tongue Tab Screw
- Support Block (4 each side of support block)
- Rim Joist Reinforcement
- Bracket Front & Back

Required Tools:

- Appropriate Safety Gear
- T25 Driver Bit
- Impact Driver Drill
- Level
- Saw

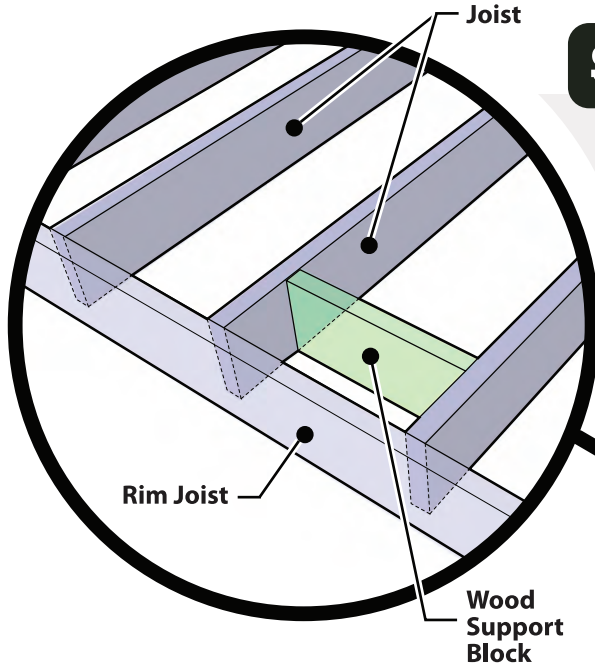
EZ Post Pocket Bracket™



STEP 1

Wood Support Block

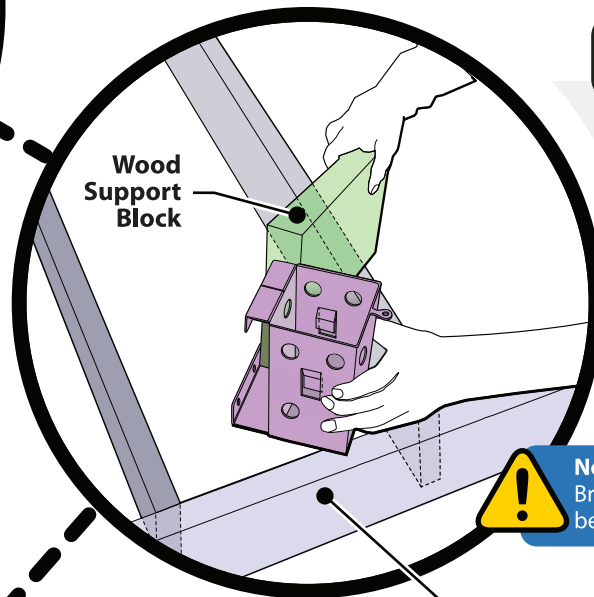
Measure between joist and cut (2" x 8") wood support block to fit



STEP 2

Slide EZ Post Pocket Bracket™ onto Support Block

Support block height is 7.25"



Note: Sliding the Post Pocket Bracket must happen first, before you move to STEP 3.

Step 3 (Included) Screws

- Support Block - 8pcs #10 x 4"
- Rim Joist Reinforcement - 8pcs #10 x 4"

STEP 3

Locate and Fasten EZ Post Pocket Bracket™

A. Position the support block

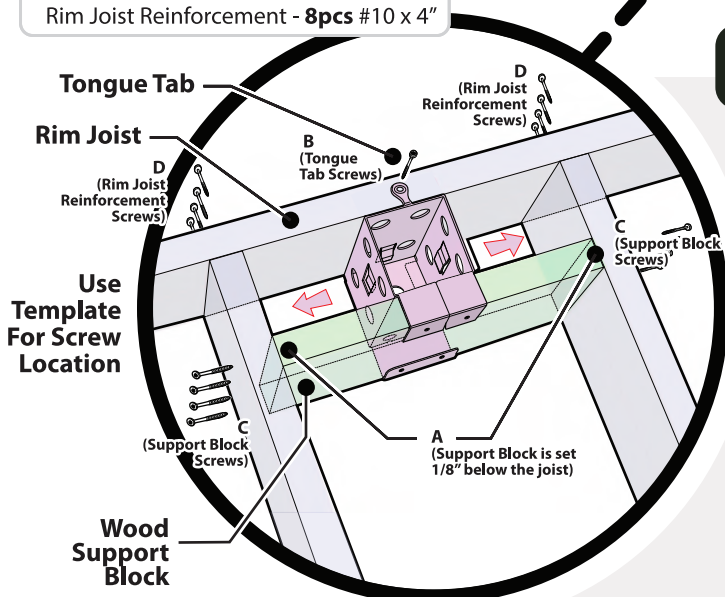
Position the support block with bracket between the joists with the tongue tab resting on the rim joist. Move the bracket to the desired location and install the tongue tab screw to hold the bracket in position.

B. Install support block screws

Push the support block squarely against the bracket to the rim joist and using the template, mark the support block installation screws on each side. Position the support block 1/8" below the joist on either side and install the support block screws (4 screws on each side).

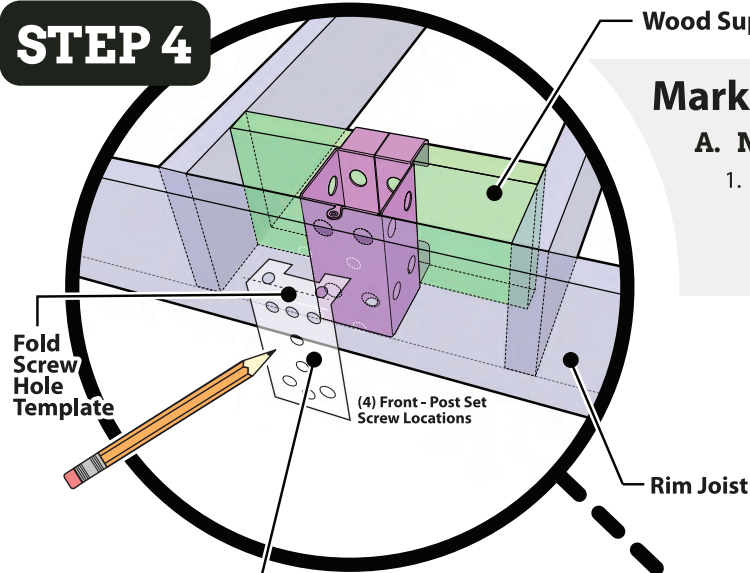
C. Install the rim joist reinforcement screws

Using the template mark the hole locations and install the rim joist reinforcement screws.



EZ Post Pocket Bracket™ Installation

STEP 4

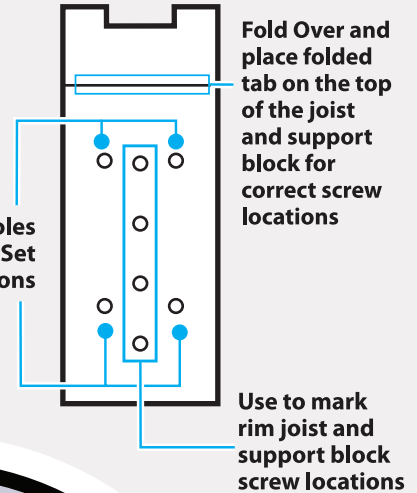


Mark Screw Locations

A. Mark Screw Locations

- Using the template mark the (4) post set screws locations on the front of the rim joist.

SCREW HOLE TEMPLATE



Mark (4) Outside Holes Using Screw Hole Template

STEP 5

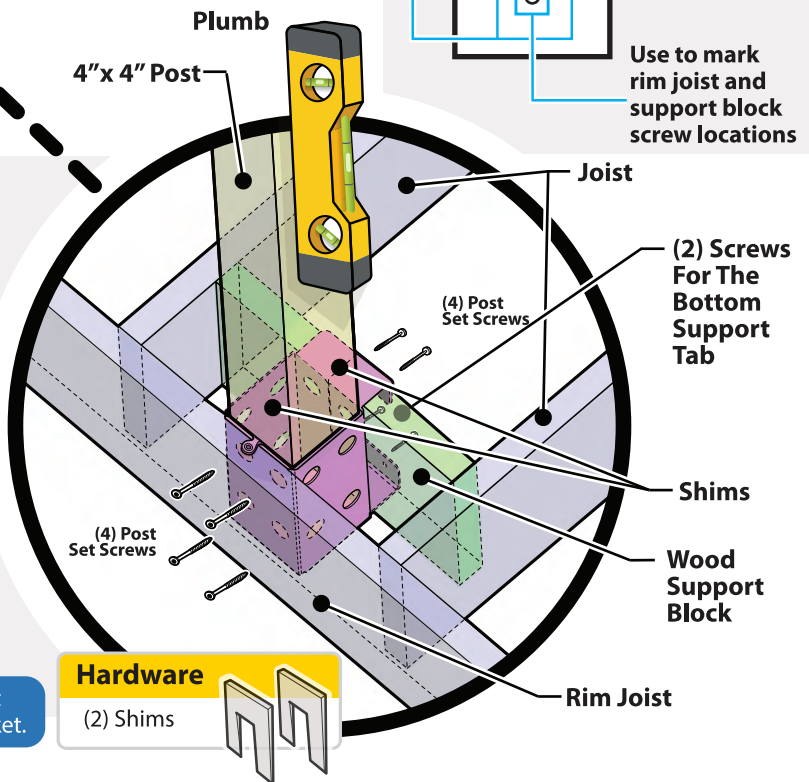
Post Installation

A. Put (4x4) Wood Post in Bracket

- Cut the (4"x 4") wood post to size and place into the bracket being sure it sits all the way to the bottom.
- Install post set screws thru the bottom support tab and block into the wood post. Use shims to plumb the post.
- Install the 4 post set screws thru the rim joist into the wood post and then install the 2 post set screws thru the top tab and support block into the wood post.

B. Tongue Tab

- Be sure the tongue tab is set FLUSH into the WOOD using an impact driver or a hammer as no to interfere with the decking.



Note: Wood blocking can be added as needed to ensure that the decking is properly supported around the post and bracket.



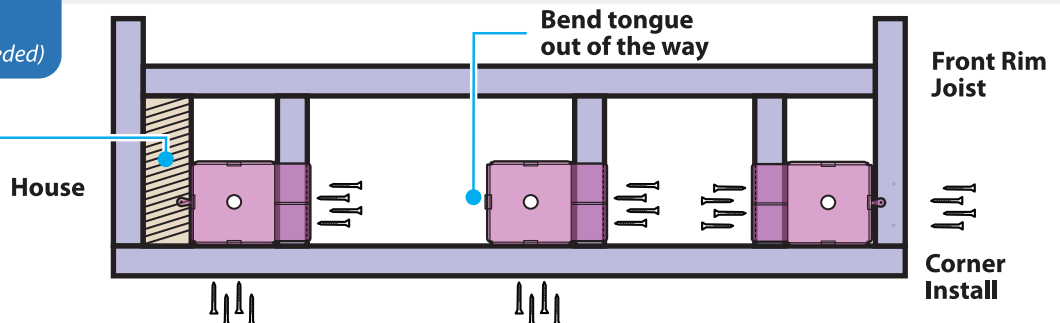
Note: Note: Independently tested to following codes:

- IRC AC174 36" and 42"
- AC273 36"
- AC273 42"

(Extra support Block Needed)

Additional Post Pocket Bracket™ Installation Configurations

2"x 8" Spacer Block As Needed To Move Post Away From House



TOP VIEW - Side Rim Joist Installation Configuration